

IOVU-12F-AD

12" Freescale™ i.MX6 Cortex™-A9 Quad Core 1.0 GHz



IOVU-15F-AD

15" Freescale™ i.MX6 Cortex™-A9 Quad Core 1.0 GHz



IOVU-17F-AD

17" Freescale™ i.MX6 Cortex™-A9 Quad Core 1.0 GHz



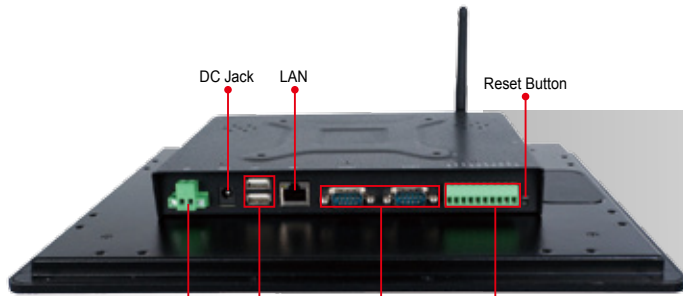
Features

- Freescale™ i.MX6 Cortex™-A9 Quad Core 1.0 GHz
- Aesthetic ultra-thin bezel for seamless panel mount installation
- Projected Capacitive Touchscreen
- Robust IP65 aluminum front bezel
- Build-in Wi-Fi+BT & PoE
- Android 4.2 OS
- One CAN 2.0 and four GPIO
- 12V~36V wide range DC power input

Specifications

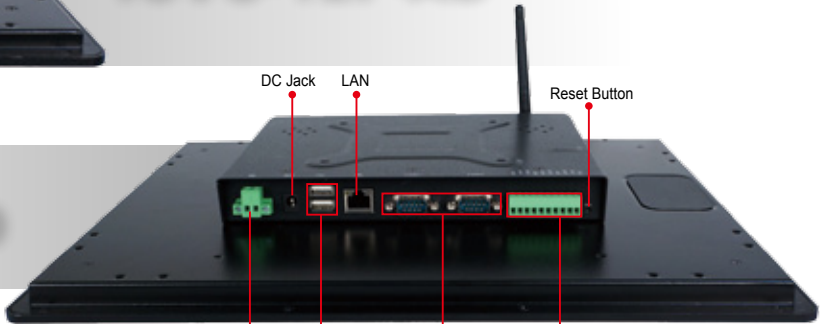


Model	IOVU-12F-AD	IOVU-15F-AD	IOVU-17F-AD
Size	12" (4:3)	15" (4:3)	17" (4:3)
Resolution	1024(W) x 768(H)	1024(W) x 768(H)	1280(W) x 1024(H)
Brightness (cd/m ²)	600	400	350
Contrast Ratio	700 : 1	700 : 1	800 : 1
LCD Color	16.2M	16.2M	16.7M
Pixel Pitch (mm)	0.24 x 0.24	0.297x 0.297	0.264 x 0.264
Viewing Angle (H-V)	160° / 140°	160° / 140°	170° / 160°
Backlight MTBF(hrs)	50000	50000	50000
Touchscreen	Projected capacitive flat touch	Projected capacitive flat touch	Projected capacitive flat touch
CPU	Freescale™ i.MX6 Cortex™-A9 quad core 1.0 GHz		
RAM	2GB DDR3 SDRAM		
Boot Flash	8G eMMC Nand Flash		
OS Support	Android 4.2.2		
Input / Output	1 x 10/100/1000 Mbps Power over Ethernet 2 x USB 2.0 host 1 x RS-232 full function (DB-9) 1 x RS-232/422/485 by DB-9 (software controllable) 1 x 12V~36V DC terminal block 1 x SD slot (up to 32GB) (Hidden) 1 x CAN 2.0 4 x GPIO 1 x DC jack 1 x On/Off power switch 1 x Reset button		
Audio	2 x 3W Speaker		
Thermal Solution	Fanless		
Wireless	BT4.0+WiFi Controller for 802.11 b/g/n		
Construction Material	Aluminum front cover and sheet metal rear cover		
Mounting	Panel, Wall, Stand, VESA Mount 100mm x 100mm		
Color	Black		
Dimensions (WxHxD) (mm)	322.2 x 262.2 x 45.5	378.5 x 303 x 48.2	408.4 x 341.4 x 54.3
Operating Temperature (°C)	-20°C ~ 60°C		
Storage Temperature (°C)	-30~70°C		
Humidity	5% to 90% (non-condensing)		
IP Level	IP 65 compliant front panel		
Power Requirement	12~36V DC		
Power Consumption	36V @ 0.8A	36V @ 0.72A	36V @ 0.86A



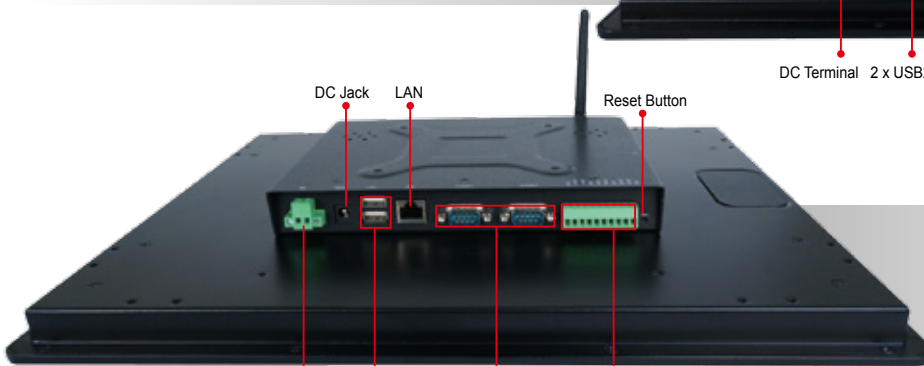
DC Jack LAN Reset Button
 DC Terminal 2 x USB2.0 RS-232, RS-232/422/485 (SW controllable) 1 x CAN 2.0 4 x GPIO

IOVU-12F-AD



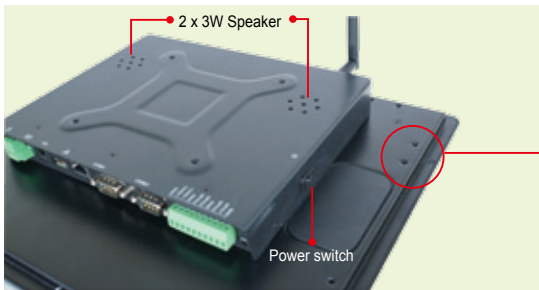
DC Jack LAN Reset Button
 DC Terminal 2 x USB2.0 RS-232, RS-232/422/485 (SW controllable) 1 x CAN 2.0 4 x GPIO

IOVU-15F-AD

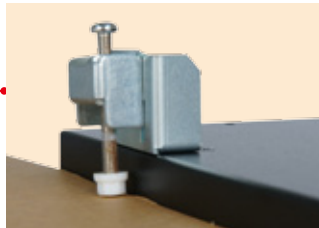


DC Jack LAN Reset Button
 DC Terminal 2 x USB2.0 RS-232, RS-232/422/485 (SW controllable) 1 x CAN 2.0 4 x GPIO

IOVU-17F-AD



■ New Panel Mount Screw Design



The IOVU series is shipped with the new panel mount screws allowing users to fasten either with screwdrivers or hands.

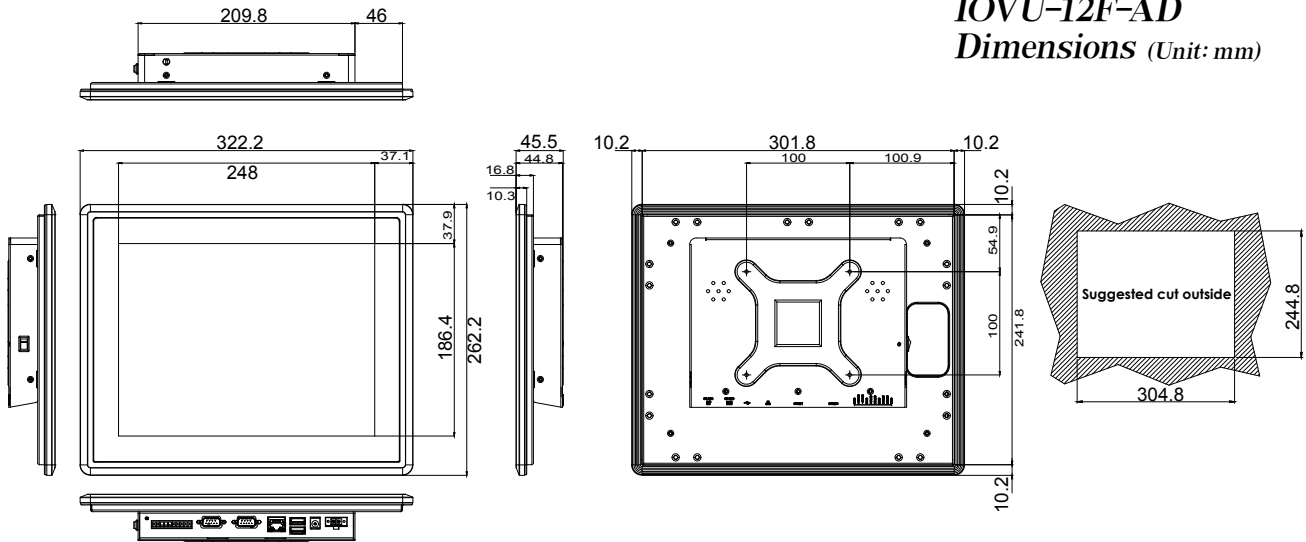
Options

Item	IOVU-12F-AD	IOVU-15F-AD	IOVU-17F-AD
Power Adapter	63040-010060-130-RS (Vin:90~264VAC;60W;Vout:12VDC)		
ARM	ARM-11-RS	ARM-31-RS	ARM-31-RS
Stand	STAND-A12-RS	STAND-A19-RS STAND-B19-RS	STAND-C19-RS STAND-A21-RS
Wall Mount Kit	AFLWK-19B		
Panel Mount Kit	FPK-01-R10		

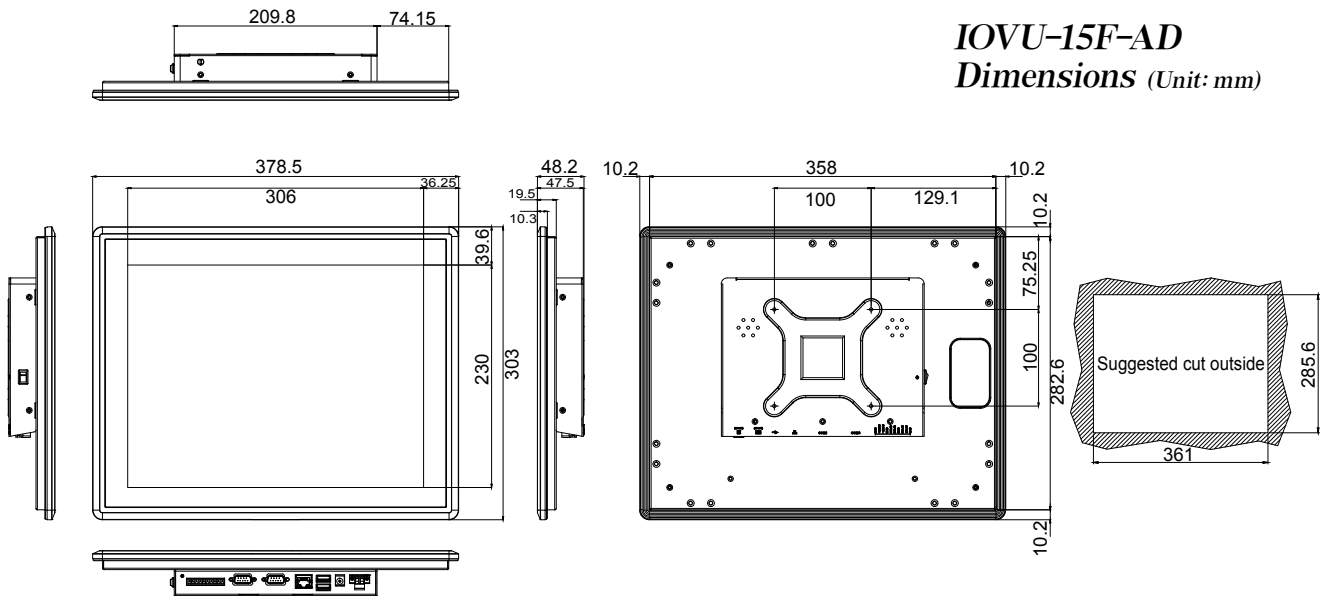
Ordering Information

Part Number	Description
12" IOVU-12F-AD-R10	12" TFT-LCD; Freescale™ i.MX6 Cortex™-A9 1.0 GHz; WiFi/Bluetooth; POE 802.3 at; Android 4.2 ,RoHS
15" IOVU-15F-AD-R10	15" TFT-LCD; Freescale™ i.MX6 Cortex™-A9 1.0 GHz; WiFi/Bluetooth; POE 802.3 at; Android 4.2 ,RoHS
17" IOVU-17F-AD-R10	17" TFT-LCD; Freescale™ i.MX6 Cortex™-A9 1.0 GHz; WiFi/Bluetooth; POE 802.3 at; Android 4.2 ,RoHS

IOVU-12F-AD
Dimensions (Unit: mm)



IOVU-15F-AD
Dimensions (Unit: mm)



IOVU-17F-AD
Dimensions (Unit: mm)

